



0963 16



0963 13

## Control stations for zones 21 and 22

- Polyester box and cover
- A2 stainless steel screws
- Components fixed at the back of the box
- 1 earth terminal 2 x 4 mm<sup>2</sup>
- 2 x M20 entries at the bottom for cable gland (not supplied)

### Size 1 (120 x 110)

	Weight (Kg)	Volume (dm <sup>3</sup> )	Cat. No.	Pack
1 push-button with "start" insert 1 NO	0.7	2.3	0963 05	1
1 push-button with "stop" insert 1 NC	0.7	2.3	0962 98	1
1 "EMERGENCY STOP" button, Red mushroom head, push-pull 1 NC	0.7	2.3	0963 13	1
1 "EMERGENCY STOP" button, C/O key-operated mushroom head	0.7	2.3	0963 04	1
1 x 25 A three pole switch Padlockable rotary switch handle (capacity Ø 8 mm maximum length 15 mm minimum)	1	2.3	0962 07	1
1 selector switch with 3 positions 2 NO (positions I - 0 - II; I and II latching)	0.7	2.3	0962 20	1

### Size 2 (170 x 110)

1 push-button with "start" insert 1 NO	0.9	2.7	<b>0963 16</b>	1
1 push-button with "stop" insert 1 NC				
1 push-button with "start" insert 1 NO	0.9	2.7	0962 21	1
1 "EMERGENCY STOP" button, red mushroom head, push-pull 1 NC				

### Size 3 (230 x 110)

1 x 12 to 30 V red LED indicator	1	4.9	0962 22	1
1 push-button with "start" insert 1 NO				
1 "EMERGENCY STOP" button red mushroom head, push-pull 1 NC				

For special options, please consult us:

- Stations with 1 to 6 functions, 3-pole switch
- Any combination of drill holes, contacts, actuators and ammeter

Cable gland (see pages 254/257/258/259 and 288)

Zones 21 & 22	ATEX	IEC	EC	II 2 D
T = 80°C	IP66	IK10		

## TECHNICAL DATA

### Zones :

- 21 - 22

### Classification :

- According to CENELEC:
  - Conforming to ATEX Directive - 94/9 EC
  - EC 0081 II 2 D T = + 80°C
- According to IEC:
  - DIPA 21 TA = + 80°C

### Certification :

- Approved type CAP
- CENELEC LCIE 01 ATEX 6049
- IEC LCIE Ex 01.003
- declaration of conformity No. 50224
- Conforming to standards EN 50281-1-1 and IEC 61241-1-1 "combustible dust"

### Protection index :

- IP66 according to EN 60529 and IEC 60529
- IK10 mechanical resistance according to EN 50102

### Operating temperature :

- 55°C to + 60°C

25 A double pole and 3-pole switch :

Rated operating power

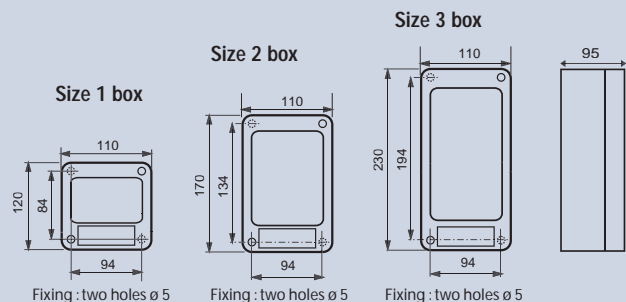
	230 V	400 V	500 V	690 V
AC - 23 A	5.5 kW	7.5 kW	7.5 kW	7.5 kW
AC - 3	4 kW	5.5 kW	5.5 kW	5.5 kW

Control stations with 1 to 6 functions:

### Breaking capacity :

AC 15:	230 V 6 A	DC 13:	24 V 3 A
	400 V 4 A		110 V 0.8 A
	500 V 2 A		220 V 0.3 A

### Dimensions (mm) :



### Product features/customer benefits :

- Carbon-reinforced polyester box : robust design and run-off of electrostatic charges
- Ø 30 mm actuator : easy, safe access to control buttons

Data sheet available on request