

Zones 21 & 22 (1)	ATEX	IEC	EC	II 2 D
EEx e II	T = 60 or 65°C	IP66	IK10	

TECHNICAL DATA

Zones : (1) These products are also designed for use in zones 1 and 2

- 21 - 22

Classification :

- According to CENELEC:
 - Conforming to ATEX Directive - 94/9 EC and standards EN 50014-19
 - EC 0081 Ex II 2 G for gas EEx e II T6
 - EC 0081 Ex II 2 D - T = 60°C (0961 03/05)
 - T = 65°C (096118/19/12/13)
- According to IEC:
 - Conforming to standards IEC 60049-0/7 Ex e II T6
 - DIPA 21 TA = 60°C (0961 03/05)
 - DIPA 21 TA = 65°C (0961 18/19/12/13)

Certification :

Cat. Nos.	Type	CENELEC	IEC	EC declaration of conformity
0961 03/05	BJe1	02 ATEX 6069	Ex 02.008	50226
0961 18/19 12/13	BJe2	99 ATEX 6003	Ex 99.005	50209

- Conforming to standards EN 50281-1-1 and IEC 61241-1-1 "combustible dust"

Protection indices :

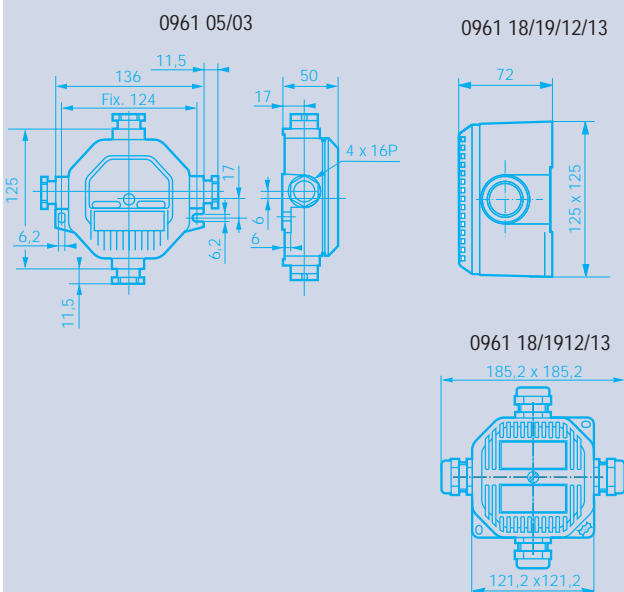
- IP66 according to EN 60529 and IEC 60529
- IK10 mechanical resistance according to EN 50102

Anticorrosion treatment and climate protection : see page G50

Operating temperature :

- 40°C + 55°C

Dimensions (mm) :



Product features/customer benefits

- Slotted terminals : several cables can be mounted quickly on the same terminal

Zones 21 & 22 (1)	ATEX	IEC	EC	II 2 D
EEx e II	T = 55 or 85°C	IP66	IK10	

TECHNICAL DATA

Zones : 21 - 22 (1) These products are also designed for use in zones 1 and 2

- According to CENELEC:
 - Conforming to ATEX Directive -94/9 EC and standards EN 50014-19
 - EC 0081 Ex II 2 G for gas EEx e II T6
 - EC 0081 Ex II 2 D T = 55°C (0961 14/15/16/31/32/33)
 - T = 85°C (0960 19)
- According to IEC:
 - Conforming to standards IEC 60049-1/7 Ex e II T6
 - DIPA 21 TA = 55°C (0960 14/15/16/31/32/33)
 - DIPA 21 TA = 65°C (0960 19)

Certification :

Cat. Nos.	Approved type	CENELEC	IEC	EC declaration of conformity
0961 14/15	BJe1	02 ATEX 6069	Ex 02.008	50226
0961 14/17	BJe2	99 ATEX 6003	Ex 99.005	50209

- Conforming to standards EN 50281-1-1 and IEC 61241-1-1 "combustible dust"

Protection index :

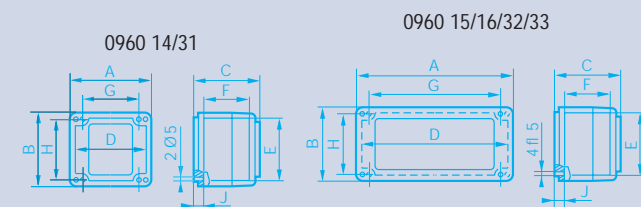
- IP66 according to EN 60529 and IEC 60529
- IK10 mechanical resistance according to EN 50102

Anticorrosion treatment and climate protection : see page G50

Operating temperature :

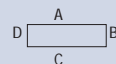
- 55 to + 60°C (0960 14/15/16/31/32/33)
- 40 to + 55°C (0960 19)

Dimensions (mm) :



Cat. No.	External dimensions			Internal dimensions				Fixing			Rail	No. of rails
	A	B	C	D	E	F	G	H	J	L		
0960 14/31	120	110	95	110	100	70	84	94	15	62	1	
0960 15/32	170	110	95	160	100	70	134	94	15	112	1	
0960 16/33	230	110	95	220	100	70	194	94	15	172	1	

Drill holes



Drill holes	0960 14/31				0960 15/32				0960 16/33				0960 19			
	A	B	C	D	A	B	C	D	A	B	C	D	A	B	C	D
M 20	1	1	2	1	-	1	2	1	-	2	3	2	-	3	8	3
M 25	-	-	-	-	-	-	1	-	-	-	1	-	-	-	1	-
No. of 6 mm terminals	7				15				23				62			
with same pitch 8 mm	5				11				17				46			

Product features/customer benefits

- 3 materials : adaptation to all mechanical and chemical environments
- Terminals mounted on Din rails : possibility of mixing pitches and cross-sections of different terminals