



0932 00



0932 02

Grey painted cast iron and marine grade aluminium alloy

- Flanged flameproof joint
- M6 earth stud
- Supplied with Gravoply 63 x 18 mm identification labels and fixing rivet
- Terminals not supplied
- ISO threaded entries (see table below)
- Equipped with 1 or 2 EN 50022 protected steel \sqcap Din rails depth 7.5 mm
- 1 internal earth terminal

Cast iron

Dimensions length x width x depth (mm)	Weight (Kg)	Volume (dm ³)	Cat. No.	Pack
130 x 130 x 90	3.8	5	0932 00	1
205 x 145 x 127	7.7	8	0932 01	1
270 x 190 x 120	15.2	13	0932 02	1

093200: Only 1 rail possible in the middle

Marine grade aluminium alloy

Dimensions length x width x depth (mm)	Weight (Kg)	Volume (dm ³)	Cat. No.	Pack
370 x 270 x 208	13	24.5	0932 04	1

For special options, please consult us:

Cable gland (see pages 252/254/262 and 263)

NEW



Zones 1 & 2 - 21 & 22		ATEX	IEC	EC	II 2 G/D
EEx d IIB	T6	T = 85°C	IP66	IK10	

TECHNICAL DATA

Zones : 1 and 2 and 21 - 22

Classification :

- According to CENELEC :
 - Conforming to ATEX Directive 94/9 EC and standards EN 50014-18
 - EC 0081 Ex II 2 G for gas EEx d IIB T6
 - EC 0081 Ex II 2 D - T = + 85°C for dust
- According to IEC :
 - Conforming to standards IEC 60079-0/1 Ex d IIB T6
 - DIPA 21 TA = + 85°C

Certification :

Cat. Nos.	Approved type	CENELEC	IEC	EC declaration of conformity
0932 00	CF2C			
0932 01	CF2A	03 ATEX 6061X	Ex 03.006X	50254
0932 02	CF2B			
0932 04	CF20B	02 ATEX 6057X	Ex 02.006X	50229

- Conforming to standards EN 50281-1-1 and IEC 61241-1-1 "combustible dust"

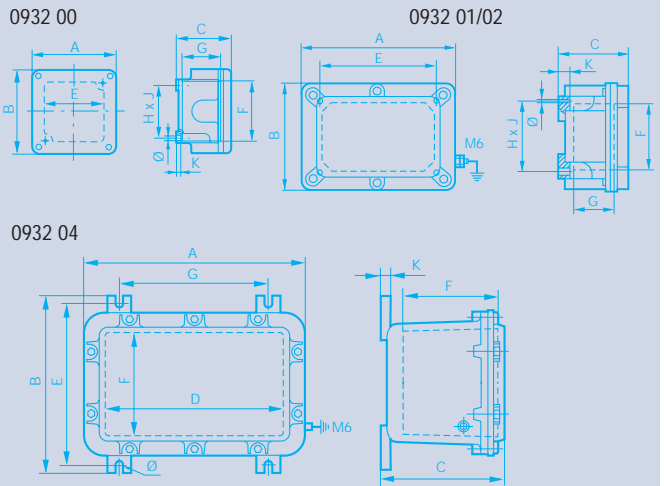
Protection index :

- IP66 according to EN 60529 and IEC 60529
- IK10 mechanical resistance according to EN 50102

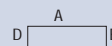
Operating temperature : - 40°C to + 55°C

Anticorrosion treatment and climate protection : see page G50

Dimensions (mm) :



Drill holes



Cat. Nos	Threaded entries per face						Number of rails \sqcap
	A	B	C	C	C	D	
	M 20	M 20	M 20	M 25	M 32	M 20	
0932 00	1	1	2	-	-	1	1
0932 01	2	1	3	-	-	1	1
0932 02	-	2	3	1	-	2	1
0932 04	-	3	5	-	1	3	2(1)

(1) Only one rail can be mounted in the middle

Cat. Nos.	Dimensions						Fixings				
	External	External	Internal	Internal	Internal	Internal	Internal	Internal	Internal	Internal	
	A	B	C	D	E	F	G	H	K	Ø	L(2)
0932 00	130	130	90	90	90	65	86	86	10	7	64
0932 01	202	144	127	155	95	65	156	98	12	7	120
0932 02	267	187	120	200	120	78	202	122	12	7	162
0932 04	370	270	208	300	175	159	250	245	15	11	2 x 200

(2) Total terminal block length, including 8 mm stops