

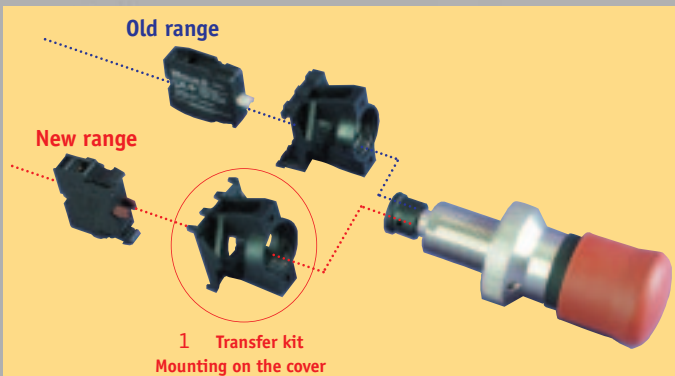
ATX "Transfer kit": easy maintenance

ATX has designed a quick and easy transfer kit which makes it very easy to replace old generation components in an existing installation with the new range of components for "d" enclosures (contacts and indicators).

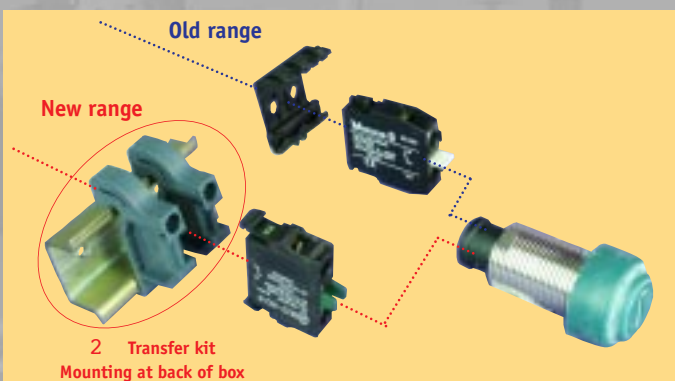
Advantages of the new range

Multi-LED indicators with a service life of 100,000 hours
Stackable contacts (mounting on the cover). Direct clipping onto DIN rail (mounting at the back of the box)

Mounting on the cover



Mounting at back of box



"Transfer Kit "

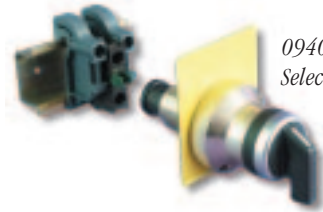


Components for mounting at back of box flameproof

0939 22
Mushroom head



0940 07
Selector switch



0939 58
Transfer kit



For mounting at back of box

- Actuators can be changed without opening the enclosure
- Mounting on rail at the back of flameproof box (drill holes M22 x 1.5 ISO)
- Connection: 2 x 2.5 mm²
- Supplied with actuator, shaft tube, contact, fixing support and blank yellow label for marking (60 x 50 mm)

Spring-return push-buttons

	Weight (Kg)	Volume (dm ³)	Cat. No.	Pack
"Start I", flexible green actuator. NO contact	0.2	0.4	0939 18	1
"Stop O", flexible red actuator. NC contact	0.2	0.4	0939 19	1

Selector switches

2 maintained positions NO contact	0.2	0.4	0940 07	1
2 maintained positions Key-operated Key can be removed in stop position. NO contact	0.2	0.4	0940 08	1

Mushroom head push-buttons

Red. Padlockable NC contact	0.2	0.4	0939 20	1
Latching push-pull Padlockable. NC contact	0.2	0.4	0939 21	1
Unlocked with key Latching. NC contact	0.2	0.4	0939 22	1

Transfer kit for mounting at back of box

- For replacing contact 0940 57 with 0939 23 and 0940 58 with 0939 24 on existing installations (1 kit per button)

	0.2	0.4	0939 58	1
--	-----	-----	----------------	---

Additional contact components

NC contact	0.1	0.2	0939 23	5
NO contact	0.1	0.2	0939 24	5

Accessories

Push-button actuators

	Weight (Kg)	Volume (dm ³)	Cat. No.	Pack
"I" flexible green actuator	0.1	0.4	0937 50	10
"O" flexible red actuator	0.1	0.4	0937 51	10
Flexible black actuator	0.1	0.4	0937 52	10

Blanking plug

For unused openings	0.02	0.2	0940 98	5
---------------------	------	-----	----------------	---

- For other functions, please consult us

Part number in bold : fast moving referen-