

0935 48

### Isolator switches

- Grey painted marine grade aluminium alloy box
- “Vistop” isolator switch mechanism
- Handle can be padlocked in “0” position
- M8 earth stud
- Internal earth
- 2 entries positioned vertically and 1 additional M20 threaded entry on lower part
- Supplied with NO-NC auxiliary switch for on-off signalling
- Supplied with 1 x M20 blanking plug

### Catalogue numbers

Isolator	Connection		Bottom entry	Top entry	Weight	Volume	Cat.No.*
	flexible	rigid					
3 x 20 A	0,75 to 6	10	2 M20	1 M20	3,8	11	<b>093508</b>
4 x 20 A	0,75 to 6	10	2 M20	1 M20	3,8	11	<b>093509</b>
3 x 32 A	4 to 16	25	1 M25+ 1 M20	1 M25	3,8	11	<b>093510</b>
4 x 32 A	4 to 16	25	1 M25+ 1 M20	1 M25	3/8	11	<b>093511</b>
3 x 63 A	4 to 35	4 to 50	1 M32+ 1 M20	1 M32	11	19,6	<b>093548</b>
4 x 63 A	4 to 35	4 to 50	1 M32+ 1 M20	1 M32	11	19,6	<b>093512</b>
3 x 100 A	4 to 50	4 to 70	1 M40+ 1 M20	1 M40	13	24,5	<b>093513</b>
4 x 100 A	4 to 50	4 to 70	1 M40+ 1 M20	1 M40	13	24,5	<b>093514</b>
3 x 125 A	4 à 50	4 to 70	1 M50+ 1 M20	1 M50	13	24,5	<b>093515</b>
4 x 125 A	4 to 50	4 to 70	1 M50+ 1 M20	1 M50	13	24,5	<b>093516</b>
3 x 160 A	4 to 50	4 to 70	1 M50+ 1 M20	1 M50	50,5	235,2	<b>093517</b>
4 x 160 A	4 to 50	4 to 70	1 M50+ 1 M20	1 M50	50,5	235,2	<b>093518</b>
3 x 250 A	120 to 185		1 M63+ 1 M20	1 M63	112	646,6	<b>093519</b>
4 x 250 A	with dia. 10 lugs		1 M63+ 1 M20	1 M63	112	646,6	<b>093520</b>

\* Pack quantity: 1

For special options, please consult us  
Stainless steel boxes

Other cable glands (see pages 252/253/254/262 or 263)

**NEW**



Zones 1 & 2 - 21 & 22	ATEX	IEC	EC	II 2 G/D
EEx d IIB	T6	T = 85°C	IP66	IK10

### TECHNICAL DATA

Zones : • 1 and 2 and 21 - 22

Classification :

- According to CENELEC :
  - Conforming to ATEX Directive 94/9 EC and standards EN 50014-18
  - EC 0081 II 2 G for gas EEx d IIB T6
  - EC 0081 II 2 D - T = + 85°C for dust
- According to IEC :
  - Conforming to standards IEC 60079-0/1 Ex d IIB T6
  - DIPA 21 TA = + 85°C

Cat. Nos.	Approved type	CENELEC	IEC	EC declaration of conformity
0935 11/12/48 13/14/15/16 17/18/19/20	CF	02 ATEX 6057X	Ex 02.006X	50229
0935 08/09/10	CF2D	03 ATEX 6061X	Ex 03.006X	50254

Certification :

- Conforming to standards EN 50281-1-1 and IEC 61241-1-1 (combustible dust)

Protection index :

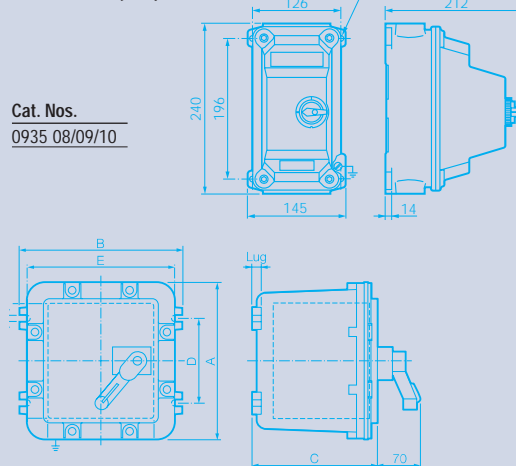
- IP66 according to EN 60529 and IEC 60529
- IK10 mechanical resistance according to EN 50102

Operating temperature :

- 40°C to + 55°C

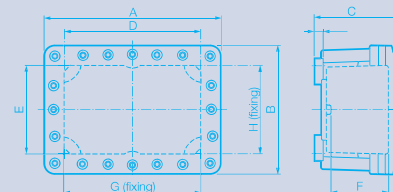
Anticorrosion treatment and climate protection : see page G50

Dimensions (mm) :



Cat. Nos.  
0935 08/09/10

Cat. Nos.	A	B	C	D	E	F	Lug	Ø
0935 11/12/48	245	270	175	140	259	207	15	11
0935 13/14/15/16	369	270	300	250	245	207	15	11



Cat. Nos.	A	B	C	D	E	F	Lug	Ø
0935 17/18	455	320	377	395	260	255	25	11
0935 19/20	680	440	445	610	370	610	25	14

Insulation voltage	Current ratings						
	20 A	32 A	63 A	100 A	125 A	160 A	250 A
AC 22 A							
400 V	20 A	32 A / 17 Kw	63 A / 35 Kw	100 A / 55 Kw	125 A / 70 Kw	160 A / 88 Kw	250 A / 139 Kw
500 V	16 A	32 A / 20 Kw	63 A / 44 Kw	100 A / 69 Kw	125 A / 87 Kw	160 A / 110 Kw	250 A / 180 Kw
690 V	20 A		40 A / 38 Kw	100 A / 96 Kw	125 A / 120 Kw	125 A / 120 Kw	
AC 23 A							
400 V		32 A / 17 Kw	63 A / 35 Kw	100 A / 55 Kw	125 A / 70 Kw	160 A 88 Kw	250 A / 139 Kw
500 V		20 A / 14 Kw	63 A / 44 Kw	100 A / 69 Kw	125 A / 87 Kw	160 A / 110 Kw	250 A / 180 Kw
690 V			40 A / 38 Kw	100 A / 96 Kw	125 A / 120 Kw	125 A / 120 Kw	125 A / 117 Kw
DC 22 A							
250 V				100 A	125 A	125 A	250 A
DC 23 A							
250 V				100 A	125 A	125 A	250 A

Data sheet available on request

Part number in bold : fast moving references