



increased safety

Switch
0966 37Ammeter
0988 50Fuse carrier
0962 99Control knob
0988 49**20 A switches**

- Door fixing with rotary control knob Cat. No. 0988 49 (not included)
- Connection via 2 x 4 mm² terminals

	Weight (kg)	Volume (dm ³)	Cat. No.	Pack
2 x 20 A	0.2	0.4	0966 36	1
3 x 20 A	0.2	0.4	0966 37	1
4 x 20 A	0.3	0.4	0966 38	1

Padlockable handle for 20 A switch

- Supplied with fixing base

	Weight (kg)	Volume (dm ³)	Cat. No.	Pack
	0.09	0.4	0988 49	1

Ferromagnetic ammeter

- Class 2.5 - Deflection 90°
- Adjustable red index dial
- Standard square bezel 48 mm
- Connection via 2 x 2.5 mm² terminals

	Weight (kg)	Volume (dm ³)	Cat. No.	Pack
For 1 A C.T. 0-1-3 Flc	0.1	0.4	0988 50	1
For 1 A C.T. 0-1-5 Flc	0.1	0.4	0988 56	1
For 1 A C.T. 0-1-6 Flc	0.1	0.4	0988 57	1
For 5 A C.T. 0-1-3 Flc	0.1	0.4	0988 58	1
For 5 A C.T. 0-1-5 Flc	0.1	0.4	0988 59	1
For 5 A C.T. 0-1-6 Flc	0.1	0.4	0988 60	1
Dials for ammeter	0.09	0.4	*	1

* See selection tables opposite

Window for ammeter

- Supplied with weatherproof seal and frame
- Fixing system for ammeter

	Weight (kg)	Volume (dm ³)	Cat. No.	Pack
Window 48 x 48	0.1	0.4	0988 52	1

Fuse carrier

- For cylindrical industrial cartridges type gG or aM 14 x 51 mm with striker pin
- Adaptor which clips onto EN 50 022 and EN 50 035 rail
- Connection via 2 x 10 mm² terminals

	Weight (kg)	Volume (dm ³)	Cat. No.	Pack
16 A max. for gG cartridges	0.1	0.4	0962 99	1
40 A max. for aM cartridge				

For special options, please consult us:

- Other selector switch diagrams
- Ammeter dials
- Padlocking system 3 x Ø 6 mm

Zones 1 & 2 - 21 & 22	ATEX	IEC	II 2 G/D or II 2 G
EExe II or EEx de IIC			

TECHNICAL DATA

Zones : 1 and 2

- Components conforming to Directive 94/9 EC, standards EN 50014/18/19/2 and standards IEC 60079-0/1/7/18

20 A switch

- Approved type: IT20
- According to CENELEC: 0081 II 2 G EEx de IIC - LCIE: 03 ATEX 0010 U
- According to IEC: Ex de IIC - LCIE: Ex 03.008 U
- Operating temperature - 20°C to + 40°C

Padlockable handle

- Approved type: AUXe
- According to CENELEC: 0081 II 2 G/D EExe II - LCIE: 03 ATEX 0012 U
- According to IEC: Exe II - LCIE: Ex 03.011 U
- Operating temperature - 20°C to + 40°C

Ammeters

Zones : 1 & 2 authorised in an approved dustproof enclosure

- Approved type: C 48 D
- According to CENELEC: 0081 II 2 G EEx em II T6 - LCIE: 02 ATEX 0006 U
- According to IEC: Ex em II - LCIE: Ex 02.019 U
- Operating temperature -25°C to +55°C

Fuse carrier

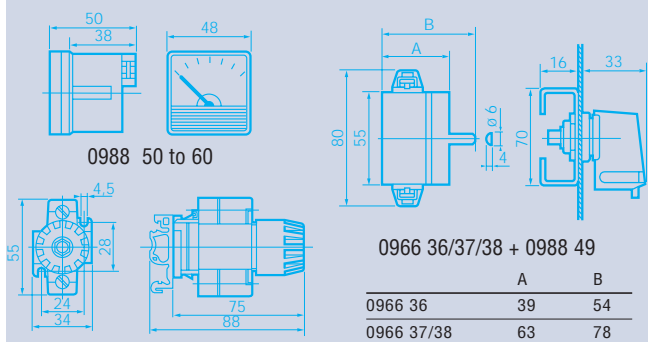
- Approved type: FU40
- According to CENELEC: 0081 II 2 G EEx de IIC - LCIE: 02 ATEX 0003 U
- According to IEC: Ex de IIC - LCIE: Ex 02.021 U
- Operating temperature - 20°C to + 40°C

Dial for ammeter :

Cat. No.	3 In 1A Flc graduation			Cat. No.	5 In 1A Flc graduation			Cat. No.	6 In 1A Flc graduation		
	0	5	15		0	5	25		0	5	30
098861	0	5	15	098875	0	5	25	098889	0	5	30
098862	0	10	30	098876	0	10	50	098890	0	10	60
098863	0	15	45	098877	0	15	75	098891	0	15	90
098864	0	20	60	098878	0	20	100	098892	0	20	120
098865	0	30	90	098879	0	30	150	098893	0	30	180
098866	0	40	120	098880	0	40	200	098894	0	40	240
098867	0	50	150	098881	0	50	250	098895	0	50	300
098868	0	60	180	098882	0	60	300	098896	0	60	360
098869	0	75	225	098883	0	75	375	098897	0	75	450
098870	0	100	300	098884	0	100	500	098898	0	100	600
098871	0	125	375	098885	0	125	625	098899	0	125	750
098872	0	150	450	098886	0	150	750	098900	0	150	900
098873	0	200	600	098887	0	200	1000	098901	0	200	1200
098874	0	250	750	098888	0	250	1250	098902	0	250	1500

Cat. No.	3 In 5A Flc graduation			Cat. No.	5 In 5A Flc graduation			Cat. No.	6 In 5A Flc graduation		
	0	5	15		0	5	25		0	5	30
098903	0	5	15	098917	0	5	25	098931	0	5	30
098904	0	10	30	098918	0	10	50	098932	0	10	60
098905	0	15	45	098919	0	15	75	098933	0	15	90
098906	0	20	60	098920	0	20	100	098934	0	20	120
098907	0	30	90	098921	0	30	150	098935	0	30	180
098908	0	40	120	098922	0	40	200	098936	0	40	240
098909	0	50	150	098923	0	50	250	098937	0	50	300
098910	0	60	180	098924	0	60	300	098938	0	60	360
098911	0	75	225	098925	0	75	375	098939	0	75	450
098912	0	100	300	098926	0	100	500	098940	0	100	600
098913	0	125	375	098927	0	125	625	098941	0	125	750
098914	0	150	450	098928	0	150	750	098942	0	150	900
098915	0	200	600	098929	0	200	1000	098943	0	200	1200
098916	0	250	750	098930	0	250	1250	098944	0	250	1500

Dimensions and diagrams (mm) :



0962 99

Data sheet available on request

Part number in bold : fast moving references