

Size 1, 2 and 3 polyamide pre-drilled control stations increased safety



098600



0986 01



0986 02



0986 28



Components:
see pages 180 to 182

Size 1, 2 and 3 pre-drilled control stations with component fixed on the base

- Compact enclosure, polyamide body and cover
- 2 x M20 clearance entries at the bottom
- Supplied with earth terminals (2 x 2.5 mm²)
- White self-adhesive dilophane identification label 58 x 18 mm
- A2 stainless steel fast multi-threaded screw (1 1/2 turn)
- Contact components fixed to the base of the box on

integrated vertical DIN rail

Catalogue numbers

Sizes	Pre-drilled cover	Weight (Kg)	Volume (dm ³)	Cat. No.	Pack
1	1 function	0.7	2.3	0986 00	1
2	2 functions	0.9	2.7	0986 01	1
3	3 functions	1	4.9	0986 02	1
2	1 function (for 4-pole switch 098821 to 32)	1	4.9	0986 25	1
3	1 functions (and 4-pole switch 098821 to 32) in bottom position	1	4.9	0986 26	1
3	1 inspection window for ammeter 48 x 48 (and 4-pole switch 098821 to 32)	1	4.9	0986 27	1
3	2 functions + 1 ammeter window	1	4.9	0986 28	1

Coupling everal enclosures: additional of joining kit to pre-drilled stations

- Pre-drilled with 2 x M20 entries at the top and 2 x M20 entries at the bottom
- Polyamide compact box and cover
- 1 brass earth continuity plate
- White self-adhesive dilophane identification label 58 x 18 mm
- A2 stainless steel fast multi-threaded screw (1 and a half turn)
- Contact components fixed at the bottom of the box on integrated vertical DIN rail

Catalogue numbers

Size	Pre-drilled cover	Weight	Volume	Cat. No.	Pack
2	2 functions	0.9	2.7	0986 29	1
Joining kit 2 vertical control stations		0.07	0.09	0986 55	1

Cable glands for armoured cable (see pages 252-262)

Part number in bold : fast moving references

Zones 1 & 2 - 21 & 22	ATEX	IEC	EC	II 2G/D
EEx ed IIC	T6	T = + 55°C	IP66	IK09

TECHNICAL DATA

Zones : 1 and 2 and 21 - 22

Classification :

- According to CENELEC
- Conforming to ATEX Directive - 94/9 EC - Standards EN 50014 - 18 - 19
- EC 0081 II 2 G for gas EEx ed IIC T6
- _ EEx edm IIC T6 for enclosures designed to take an ammeter
- EC 0081 II 2 D - T = + 55°C for dust
- According to IEC :
- Conforming to standards IEC 60079 - 0/1/7 Ex ed IIC T6
- DIPA 21 TA = + 55°C - Ex edm IIC T6 for enclosures designed to accept an ammeter

Certification :

- Approved type PCe
- CENELEC LCIE 00 ATEX 6047
- IEC LCIE Ex.00.017
- declaration of conformity No. 50221
- Conforming to standards EN 50281-1-1 & IEC 61241-1-1 (combustible dust)

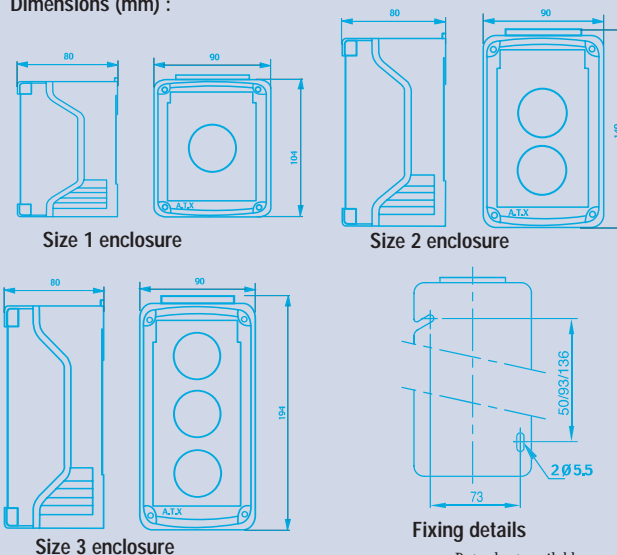
Protection index :

- IP66 according to EN 60529 and IEC 60529
- IK09 mechanical withstand according to EN 50102

Operating temperature : - 20°C to + 55°C

Anticorrosion and climate protection : see page G50

Dimensions (mm) :



Data sheet available on request