

EEx "d" LV 80 and 125 A power sockets and plugs 380/415 V flameproof



Prise 0946 67



Socle 0944 22

80 A and 125 A surface mounting sockets and plugs

- Cast-iron wall-mounting socket, painted grey with anticorrosion protection, fitted with load break isolating switch
- Mechanical interlocking device prevents:
 - the switch closing when the plug is not fully engaged in the socket
 - removal of the plug while the switch is closed
- Switch handle can be padlocked in the "off" position (3 padlocks)

80 A surface mounting socket

- 1 x M32 threaded entry (at the top)
- Connection via Ø 8 mm cable lugs (not supplied)
Internal earth: 35 mm² connection
- External earth: Ø 6 mm screw

380-415 V~ 50/60 Hz	Weight (Kg)	Volume (dm ³)	Cat. No.	Pack
3 P + E	44.6	69	0944 22	1

80 A plug

- Aluminium alloy plug with straight handle
- 1 entry via cable gland with integrated expansion cone separator, sealed Ø: 18 mm min, 28 mm max
- Connection via 16 mm² terminal

380-415 V~ 50/60 Hz	Weight (Kg)	Volume (dm ³)	Cat. No.	Pack
3 P + E	3.4	6	0946 67	1

125 A surface mounting socket

- 1 x M50 threaded entry (at the top)
- Connection via Ø 8 mm ring terminals (not supplied)
- Internal earth: 35 mm² connection
- External earth: Ø 6 mm screw

380-415 V~ 50/60 Hz	Weight (Kg)	Volume (dm ³)	Cat. No.	Pack
3 P + E	47	69	0944 24	1

125 A plug

- 1 cable entry via cable gland with integrated expansion cone separator, sealed Ø: 30 mm min, 36 mm max
- Connection via 35 mm² terminal

380-415 V~ 50/60 Hz	Weight (Kg)	Volume (dm ³)	Cat. No.	Pack
3 P + E	5.9	7	0946 93	1

For special options, please consult us

- Cable entry at bottom for 125 A
- Spare parts (see page 290)

Cable glands (see pages 252-263)

Part number in bold : fast moving references

Zone 1 & 2	ATEX	IEC	EC	II 2 G
EEx d IIB	T6 (80 A) T5 (125 A)		IP55	IK10

TECHNICAL DATA

Zones :

- 1 and 2

Classification :

- According to CENELEC
 - Conforming to ATEX Directive 94/9 EC and standards EN 50014-18
 - EC 0081 II 2 G for gas EEx d IIB T6 (80 A), T5 (125 A)
- According to IEC
 - Conforming to standards IEC 60079-0/1 Ex d IIB T6 (80 A), T5 (125 A)

Certification :

Cat. Nos.	Approved type	CENELEC	IEC	EC declaration of conformity
0944 22				
0946 67	PCX 80d	03 ATEX 6149X	Ex 03.024X	50262
0944 24				
0946 93	PCX 125d	03 ATEX 6148X	Ex 03.023X	50263

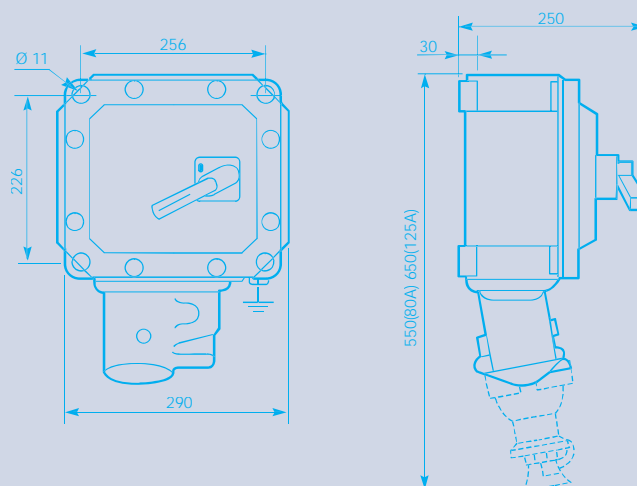
- Conforming to standards EN 60309-1 and IEC 60309-1

Protection index :

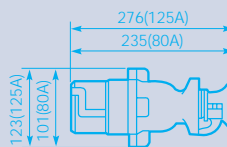
- IP55 according to EN 60529 and IEC 60529
- IK10 mechanical resistance according to EN 50102

Operating temperature : - 40°C to + 55°C

Dimensions (mm) :



Plugs



Breaking capacities

- AC1 : 80 A : 380 V
125 A : 380 V
- AC2/AC3 : 80 A : 40 kW - 380 V
125 A : 63 kW - 380 V

Product features/customer benefits :

- Activated by padlockable rotary switch handle : **simple operation**
- Plug cannot be removed with the power on : **safe operation**