

EEx "d" LV 32 A power sockets and plugs 380/415 V flameproof



Socle 0944 20



Prise 0944 80

32 A power sockets

- Wall-mounting socket with aluminium alloy body and cast-iron front section (painted with polyester powder epoxy)
- Flameproof cylindrical spigot joint
- Mechanical interlocking device ensures that:
 - disconnection takes place within the flameproof chamber before the plug is removed from the socket
 - the plug cannot be removed with the power on
- Aluminium alloy plug with straight handle. Can be used with IEC 60309-2 industrial pin sockets outside explosive atmospheres

Surface mounting socket

- 2 x M25 threaded entries (1 at top, 1 at bottom)
- Supplied with 1 x M25 blanking plug
- Connection via 10 mm² terminals
- Earth terminals: internal and external, by Ø 6 mm screws

	Weight (Kg)	Volume (Dm ³)	Cat. No.	Pack
380-415 V~ 3 P + E	10.4	17	0944 20	1

Plug

- 1 cable entry via integral cable gland, sealed Ø: 17 mm min, 22 mm max
- Connection via 6 mm² terminal

	Weight (Kg)	Volume (Dm ³)	Cat. No.	Pack
380-415 V~ 3 P + E	1.5	4	0944 80	1

Cable glands (see pages 252-263)

Zone 1 & 2 - 21 & 22	ATEX	IEC	EC	II 2 G/D
EEx d IIC	T6 or T5	T = + 85°C	IP66	IK10

TECHNICAL DATA

Zones :

- 1 and 2 and 21 - 22

Classification :

- According to CENELEC
 - Conforming to ATEX Directive 94/9 EC and standards EN 50014-18
 - EC 0081 II 2 G for gas EEx d IIC
T6 for Ta + 40°C T5 for + 40°C < Ta + 55°C
 - EC 0081 II 2 D - T = 85°C for dust
- According to IEC
 - Conforming to standards IEC 60079-0/1 Ex d IIC
T6 for Ta + 40°C T5 for + 40°C < Ta + 55°C
 - DIPA 21 TA = 85°C for dust

Certification :

- Type PCX32d
- CENELEC LCIE 03 ATEX 6134X
- IEC LCIE Ex 03.21X
- **CE** declaration of conformity 50258
- Conforming to standards EN and IEC 60309-1 and 60309-2
- Conforming to standards EN 50281-1-1 and IEC 61241-1-1 "combustible dust"

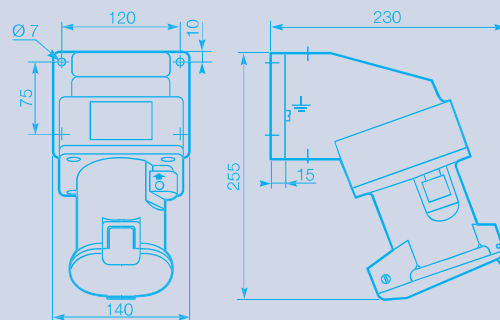
Protection index :

- IP66 according to EN 60529 and IEC 60529
- IK10 mechanical resistance according to EN 50102

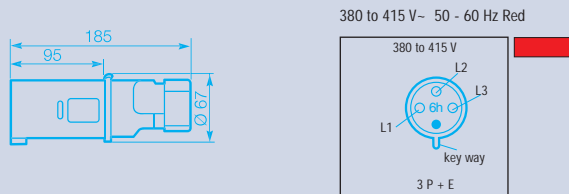
Operating temperature :

- 40°C to + 55°C

Dimensions (mm) :



Pin configuration :



Product features/customer benefits

- Activated by rotating the plug : **simple operation**
- Plug cannot be removed with the power on : **safe operation**