

LV 125 A power sockets and plugs - 380 to 690 V - 50/60 Hz or 60 Hz

increased safety



Socket 0968 67



Plug 0968 77

125 A power socket

- Connection via 120 mm² terminals
- Supplied with 1 x M 63 cable gland and 1 x M25 blanking plug (for cable 36 to 44 mm)
- 316 L stainless steel socket, polyamide cover and plug

	Breaking capacity AC3(kw)	Weight (Kg)	Volume (dm ³)	Cat. No.	Pack
380 to 415 V ~					
3 P + E	15	16	70	0968 66	1
3 P + N + E	22	16	70	0968 67	1
440 to 460 V ~ (1)					
3 P + E	15	16	70	0968 58	1
3 P + N + E	22	16	70	0968 59	1
480 to 500 V ~					
3 P + E	15	16	70	0968 60	1
3 P + N + E	22	16	70	0968 61	1
600 to 690 V ~					
3 P + E	15	16	70	0968 62	1
3 P + N + E	22	16	70	0968 63	1

(1) 60 Hz

125 A plugs

	Weight (Kg)	Volume (dm ³)	Cat. No.	Pack
380 to 415 V ~				
3 P + E	1.1	13	0968 76	1
3 P + N + E	1.1	13	0968 77	1
440 to 460 V ~ (1)				
3 P + E	1.1	13	0968 68	1
3 P + N + E	1.1	13	0968 69	1
480 to 500 V ~ (1)				
3 P + E	11	13	0968 70	1
3 P + N + E	11	13	0968 71	1
600 to 690 V ~ (1)				
3 P + E	11	13	0968 72	1
3 P + N + E	11	13	0968 73	1

(1) 60 Hz

For special options, please consult us:

- Version with earth continuity for armoured cable (63A)
- Polyester (63 A) and 316 L stainless steel (125 A) junction boxes with 70 mm² or 90 mm² terminals
- Spare parts (see page 290)

Part number in bold : fast moving references

Zone 1 & 2 - 21 & 22	ATEX	IEC	EC	II 2 G/D
Ex ed IIC	T6 or T5	T = 75°C	IP66	IK10

TECHNICAL DATA

Zones :

- 1 and 2, and 21- 22

Classification :

- According to CENELEC
- Conforming to ATEX 94/9 EC Directive and standards EN 50014-18-19
- EC 0081 II 2 G for gas Ex ed IIC
T6 for Ta + 40°C T5 for + 40°C < Ta + 55°C
- EC 0081 II 2 D - T = + 75°C for dust
- According to IEC
- Conforming to standards IEC 60079-0/1/7 Ex ed IIC
T6 for Ta + 40°C T5 for + 40°C < Ta + 55°C
- DIPA 21 TA = + 75°C for dust

Approvals :

- Approved type PC 125X
- CENELEC LCIE 99 ATEX 6031
- IEC LCIE Ex 99.017
- **CE** declaration of conformity 50218
- Conforming to standards EN 60309-1 and EN 60309-2
- Conforming to standards EN 50281-1-1 and IEC 61241-1-1

"combustible dust"

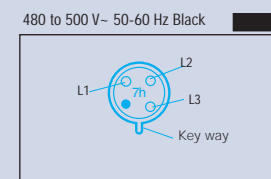
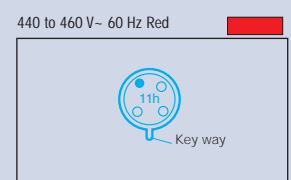
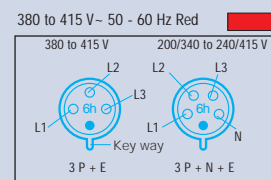
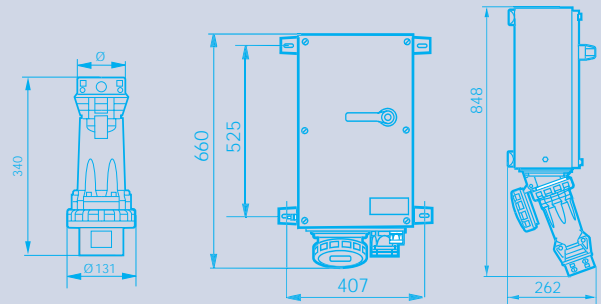
Protection index :

- IP66 according to EN 60529 and IEC 60529
- Impact resistance IK10 according to EN 50102

Operating temperature :

- 30°C to + 55°C

Dimensions (mm) :



Product features/customer benefits

- Rotary handle : **simple operation for high amperage**
- AC3 flameproof switch : **durability, electrical performance**
- Padlockable switch handle (3 padlocks) : **safe operation**