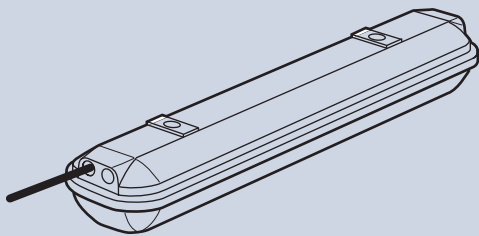
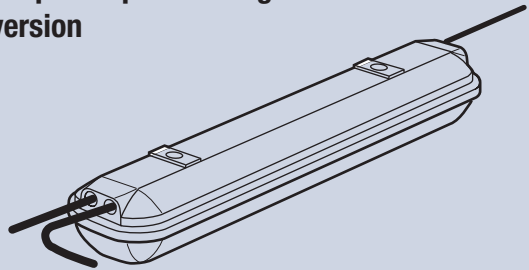


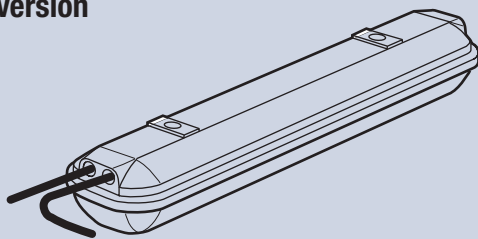
**Single entry
version**



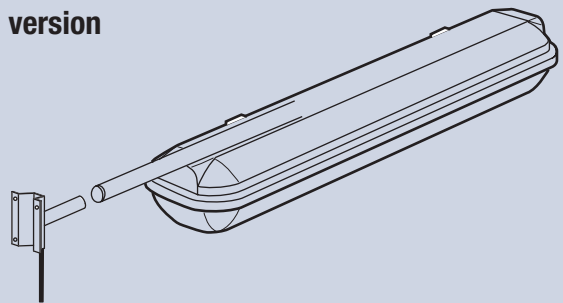
**Loopin loopout/through wired
version**



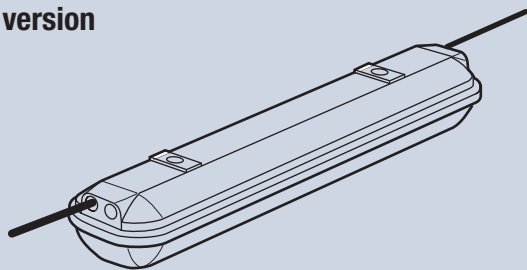
**Loopin loopout
version**



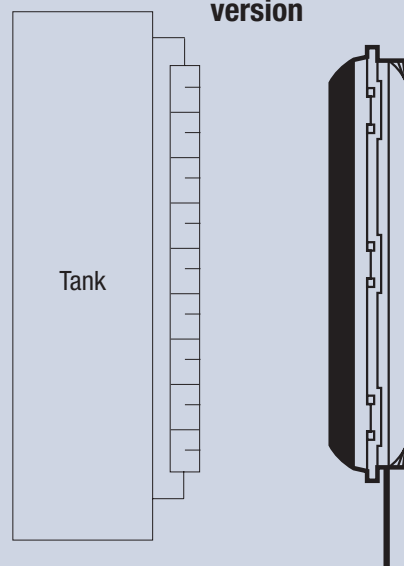
**Pole mounted
version**



**Through-wired
version**



**Level gauge light
version**



Connection and wiring diagramm

Type	Standard Single entry	Loop-in Loop-out	3 phases Through-wired	Single phase loop-in loop-out through-wired
Cable connections				
Standard and level gauge lighting (1)	<p>(1)</p>		<p>(2) 3 phases through-wired for balance load circuit</p>	
Emergency				
Pole mounting version				
Emergency pole mounting version				

Data sheet available on request