

## TECHNICAL DATA

### Zones :

- 1 and 2 and 21-22

### Classification :

- According to CENELEC:
  - Conforming to ATEX - 94/9 EC Directive and standards EN 50014-18-19
  - EC 0081 II 2 G : for gas EEx ed II C T4
  - EC 0081 II 2 D - T = + 85°C: for dust
- According to IEC :
  - Conforming to IEC standards 60079-0/1/7 Ex ed II C T4
  - DIP A21 TA = + 85°C

### Approvals :

- Approved type File
- CENELEC LCIE 98 ATEX 6004
- IEC LCIE Ex 98.012
- declaration of conformity No. 50201
- Conforming to standards EN 60598-1 and IEC 60598-1 for luminaires
- Conforming to standards EN 50281-1-1 and IEC 61241-1-1 "combustible dust "
- Conforming to electromagnetic compatibility (EMC) standards
  - EN 55015
  - EN 61547

### Protection index :

- IP 66/67 according to EN 60529 and IEC 60529
- Impact resistance : IK10 according to EN 50102

### Operating temperature :

- 20°C to + 55 °C

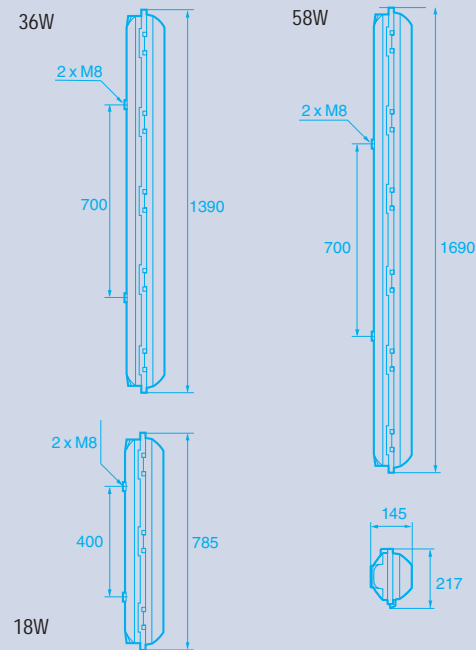
### Anticorrosion treatment and climate protection : see page G50

### Positive "safety plus" :

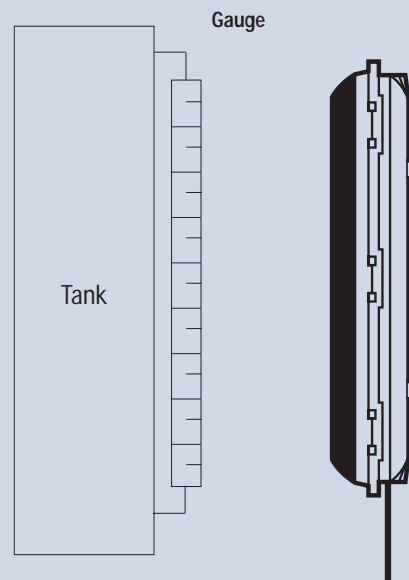
- Safety switch for opening luminaire, see glossary
- Anti-wiring-error connector

Zone 1 & 2 - 21 & 22		ATEX	IEC	EC	II2 G/D
EEx ed IIC	T4 or T5	T = 85°C	IP 66/67		IK 10

### Dimensions (mm) :



### Installation



Gauge lit on its full length in normal position of the luminaire

### Product features/customer benefits

- Positive safety switch : "Safety Plus"
- Multi-parabolic reflector : **increased efficiency**
- Ballast with plug in connectors : **rapid error-free maintenance**
- Opening system automatically protected : **no over turning possible**
- Concentrated beam : **improved legibility**